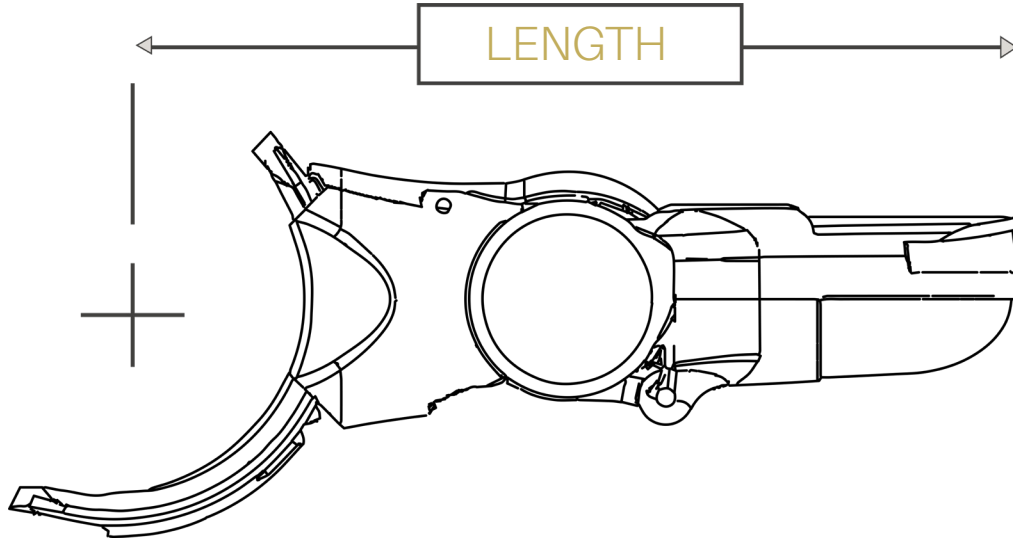


# Point Partial II Sizing Chart



point designs



45 mm

50 mm

55 mm